

MODIGLIANI-MODIGLIANI VELVET

Modigliani is an aluminium frame screen for **HOME THEATRE and PROFESSIONAL** applications available with black powder coating or with velvet finishing

Once Modigliani is fixed to the wall, the elegant rounded frame seems to float in the air.



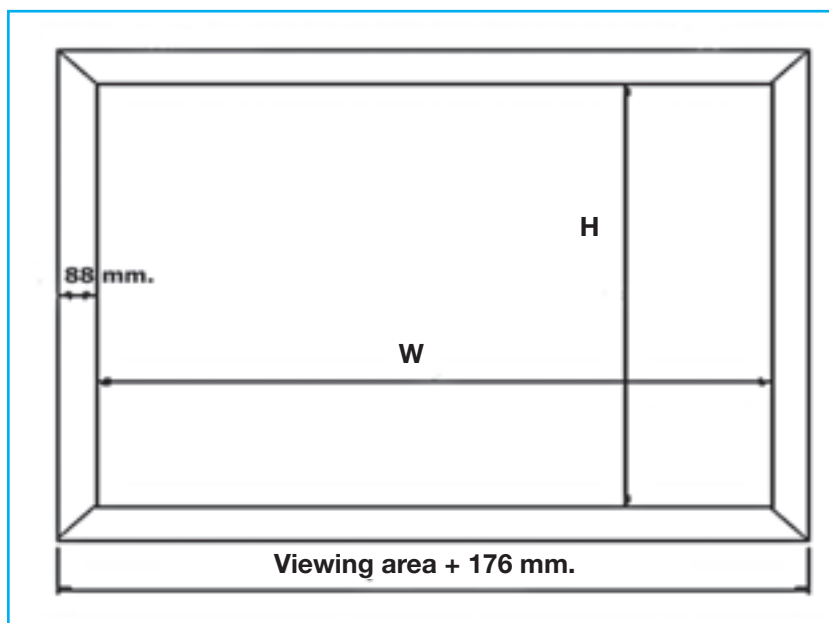
MODIGLIANI
VELVET



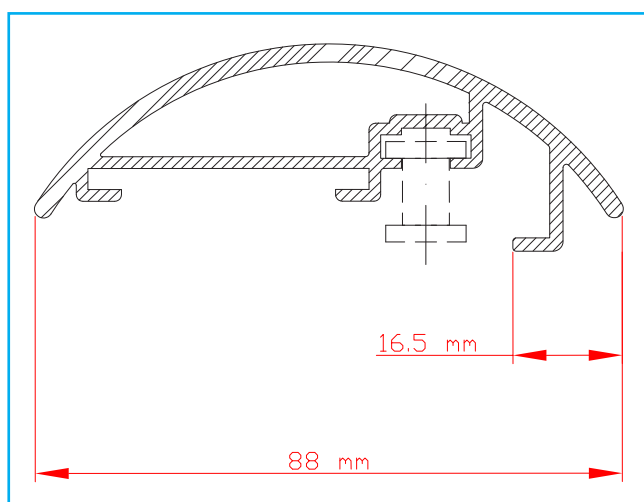
MODIGLIANI

- Aluminium frame – dimensions: 88x29 mm. (width x depth)
- MODIGLIANI: frame sprayed with dull black epoxy powders (RAL 9005)
- MODIGLIANI VELVET: frame covered with black velvet finishing
- **No visible brackets** are needed to fix the screen to the wall: at the rear side of the frame an aluminium profile allows to hang it directly to a fixing hook
- Cloth can be easily and quickly fixed to the rear side of the frame directly onto fixing studs
- Projection fabrics are flame-retardant - class M1 and M2

TECHNICAL SPECIFICATIONS



TECHNICAL DRAWING



TECHNICAL DRAWING MODIGLIANI PROFILE

TECHNICAL SPECIFICATIONS

4:3 Ratio Viewing area (WxH)	16:9 Ratio Viewing area (WxH)	16:10 Ratio Viewing area (WxH)	Front projection surfaces	Approx. net weight	
cm. 160x120	cm. 160x90	cm. 160x100	White	gain 1.2	Kg. 12
cm. 180x135	cm. 180x101	cm. 180x112	White Pearl	gain 1.2	Kg. 14
cm. 200x150	cm. 200x112	cm. 200x125	Lumi Grey	gain 0.8	Kg. 16
cm. 220x165	cm. 220x124	cm. 220x137	Lumi Grey Microperforated	gain 0.8	Kg. 17
cm. 250x190	cm. 250x140	cm. 250x156	Cinesound	gain 0.7	Kg. 19
cm. 300x225	cm. 300x169	cm. 300x187	Microperforated	gain 1.1	Kg. 23
			High Matte	gain 1.25	
			Deep Space 3D	gain 1.4	
			Hi-Light	gain 2.3	



Just Projectors, Unit 7, Campbell Court, Bramley Hampshire, RG26 5EG