

FLAT ELASTIC WITH FLOOR STANDS



ANCHORING SYSTEM VIEW



PLASTIC JOINT EDGE



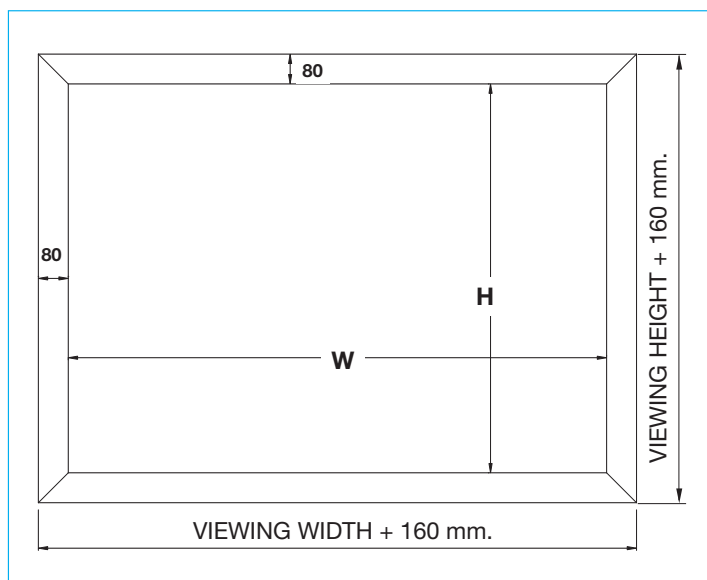
- ▼ Smart design and easy to install
- ▼ Aluminium frame painted with dull black epoxy powders (RAL 9005) and plastic joint corners*
- ▼ On request the corners can be of aluminium cut at 45°
- ▼ Frame dimensions: 80x20 mm. (WxD)
- ▼ Flat elastic: projection surface anchoring system with galvanized rods and rubber bands

- ▼ Wall mounting brackets on upper and lower frame for safe installation
- ▼ Flame-retardant projection surfaces - classification M1 and B1

* Aluminium corners cut at 45° on screens bigger than 300 cm. of width.

* Plastic joint corners are for safety reasons.

TECHNICAL SPECIFICATIONS



Wrap around

TECHNICAL SPECIFICATIONS

1:1 Ratio Viewing area (WxH)	4:3 Ratio Viewing area (WxH)	16:9 Ratio Viewing area (WxH)	16:10 Ratio Viewing area (WxH)	Front projection surfaces		Rear projection surfaces		Approx. net weight
cm. 160x160	cm. 160x120	cm. 160x90	cm. 160x100	White	gain 1.2	Rear Plus	gain 1.1	Kg. 11
cm. 180x180	cm. 180x135	cm. 180x101	cm. 180x112	White Pearl	gain 1.2	Rear Lux	gain 2.5	Kg. 13
cm. 200x200	cm. 200x150	cm. 200x112	cm. 200x125	Microperforated	gain 1.1	FrontRear	gain 0.9	Kg. 14
cm. 220x220	cm. 220x165	cm. 220x124	cm. 220x137	Lumi Grey	gain 0.8			Kg. 16
cm. 250x250	cm. 250x190	cm. 250x140	cm. 250x156	Lumi Grey Microperforated	gain 0.8			Kg. 19
cm. 300x300	cm. 300x225	cm. 300x169	cm. 300x187	Cinesound	gain 0.7			Kg. 23
	cm. 350x265	cm. 350x197	cm. 350x219	Foldaway	gain 1.5*			Kg. 27
	cm. 400x300	cm. 400x225	cm. 400x250	FrontRear	gain 0.9			Kg. 31
				High Matte	gain 1.25*			
				Deep Space 3D	gain 1.4*			
				Hi-Light	gain 2.3*			

* FLAT ELASTIC frame screens with Foldaway, High Matte, Hi-Light and Deep Space 3D cloths are available up to max. height of 225 cm.

JUST PROJECTORS

Main Number 01256 882629

Fax Number 08452 729300