

FEATURE HIGHLIGHTS

- 5000 ANSI LUMENS
- ZOOM 1,5X
- THROW RATIO: 1.39~2.09
- EXTRON IP LINK CERTIFIED
- ADVANCE INFOGRAPHIC PICTURE MODE



Product Specifications

Articlenumber	9HJGK77.25E	
EAN Code	471 8755 07820 0	
Projection System	DLP	
DMD type	DC3	
Native Resolution	WUXGA 1920 x 1200 / 16:10	
Brightness	5000 ANSI Lumens	
Contrast Ratio*	13,000 : 1	
Display Color	1,07 Billion Colors	
Aspect Ratio	Native 16:10 (5 aspect ratio selectable)	
Projection Size	26.6"~334"	
Throw Ratio	1.39~2.09	
Zoom Ratio	1,5x	
Lens	F# : 2.42 ~2.97, f : 20.7 ~ 31.05mm	
Lens Shift	NA	
Light Source Type	Lamp (310W)	
Light Source Life **	Normal 2,500 hours / Eco 3,500 hours / SmartEco 4,500 hours	
Keystone Correction	2D, Horizontal / Vertical ± 30 degree	
Resolution Support	VGA(640 x 480) to WUXGA_RB(1920 x 1200)	
Horizontal Frequency	15K ~102 kHz	
Vertical Scan Rate	23 ~ 120 Hz	
Compatibility	HDTV Compatibility	480i, 480p, 576i, 576p, 720p, 1080i, 1080p
	Video Compatibility	NTSC, PAL, SECAM
Speaker	10W x1	
Feature	Advance Infographic mode	
Dimensions (W x H x D)	314 x 117 x 233 mm	
Weight	3,3 kg	
Power Supply	100~ 240 V AC, 4.2A, 50/60 Hz	
Power Consumption	Max 420W / Normal 365W / Eco 290W	
Standby Power Consumption	Normal < 0.5W	
Audible Noise	36 / 31 dBA	
Operating Temperature	0 ~ 40°C	
On-Screen Display Languages	Arabic / Bulgarian / Croatian/ Czech / Danish / Dutch / English / Finnish / French / German / Greek / Hindi / Hungarian / Italian / Indonesian / Japanese / Korean / Norwegian / Polish / Portuguese / Romanian / Russian / Simplified Chinese / Spanish / Swedish / Turkish / Thai / Traditional Chinese (28 Languages)	
Accessories	Standard	Optional
	Power Cord (by region)	Ceiling Mount (5JJAM10.001)
	1 Remote Control w Battery (RCS011)	Spare Lamp Kit (5JJFG05.001)
	VGA cable	Wireless dongle: QCast (QP01)
	User Manual CD	Instashow (WDC10)
	QSG	Carry Bag
	Warranty Card (by region)	3D Glasses (5JJ9H25.002)
Guarantee	36 month	

*Lamp in this product contains mercury. To dispose of the product or used lamps, consult your local environment authorities for regulations or see www.lamprecycle.org.

**Lamp life results will vary depending on environmental conditions and usage. Actual product's features and specifications are subject to change without notice.

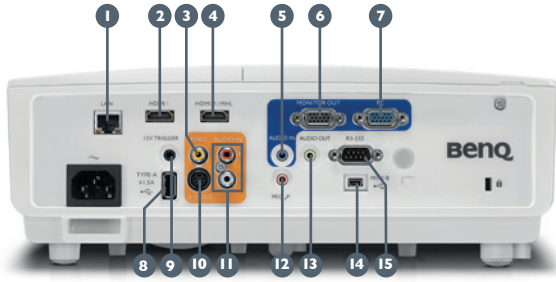
**Default mode is Presentation. When 3D is on, Picture Modes only shows 3D. When 3D is off, it is not shown in Picture Modes.

*** Storage: Temperature: -20~60°C; Humidity: 10~90%RH (without condensation)

SU754+
BenQ DLP Projector

BENQ

Input and Output Terminals



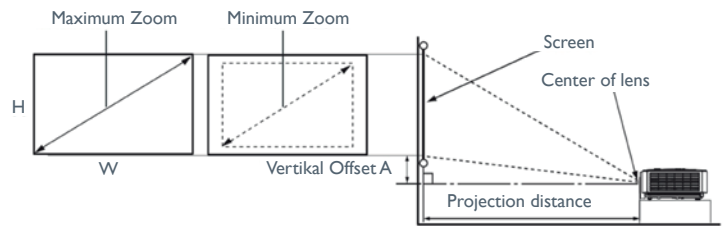
- ① LAN (RJ45)
- ② HDMI 1
- ③ HDMI 2 / MHL
- ④ Composite Video in (RCA)
- ⑤ Audio in (Mini Jack)
- ⑥ Monitor out
- ⑦ PC (D-sub 15pin)
- ⑧ USB (Type A)
- ⑨ DC 12V Trigger (3.5mm Jack)
- ⑩ S-Video in
- ⑪ Audio L/R in (RCA)
- ⑫ Microphone in (Mini Jack)
- ⑬ Audio out (Mini Jack)
- ⑭ USB (Type mini B)
- ⑮ RS232 (DB-9pin)

Dimensions

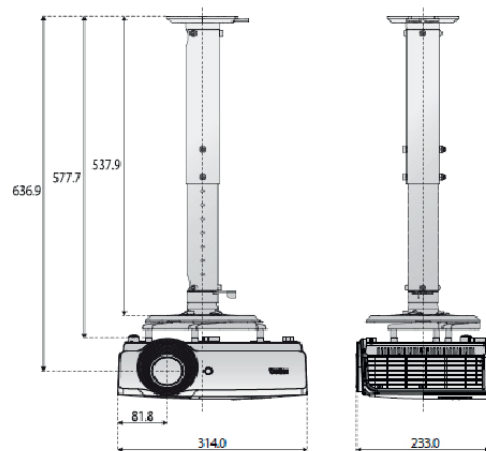
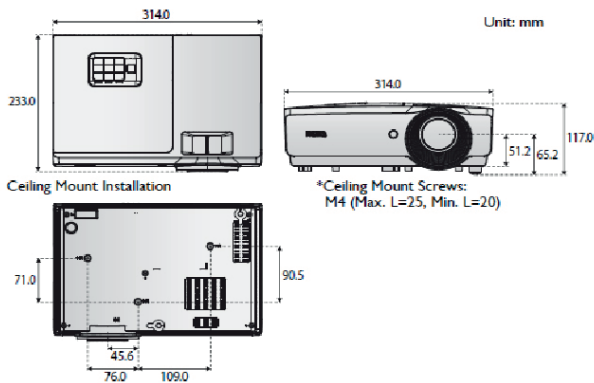


Distance Chart

Screen				Distance from screen (mm)			Offset (mm)
Diagonal		W (mm)	H (mm)	Min distance	Average	Max distance	
Inch	mm						
60	1524	1292	808	1796	2249	2701	68
70	1778	1508	942	2096	2623	3151	79
80	2032	1723	1077	2395	2998	3601	91
90	2286	1939	1212	2695	3373	4052	102
100	2540	2154	1346	2994	3748	4502	113
120	3048	2585	1615	3593	4497	5402	136
150	3810	3231	2019	4491	5622	6753	170
170	4318	3662	2289	5090	6371	7653	193
180	4572	3877	2423	5389	6746	8103	204
190	4826	4092	2558	5688	7121	8553	215
200	5080	4308	2692	5988	7496	9003	227
250	6350	5385	3365	7485	9370	11254	283
300	7620	6462	4039	8982	11243	13505	340



Ceiling Mount Chart



BenQ Europe B.V.

Meerenaakkerweg 1-17
5652 AR Eindhoven
The Netherlands
Tel: +31 88 8889200

BenQ.eu

© 2018 BenQ Corp. Specifications may vary by region, please visit your local stores for details. Actual product's features and specifications are subject to change without notice. This material may include corporate names and trademarks of third parties which are the properties of the third parties respectively. Latest Update: 2018-11-27

BENQ