

crystal clear
display solutions



Fully featured, versatile projectors, designed to make a large screen impact

Engineered for ceiling-suspended installations

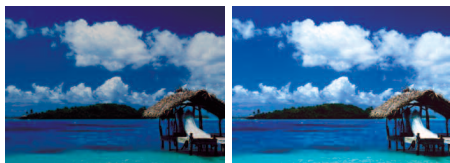
Equipped with a long-focus lens designed for ceiling suspended installation in lecture theatres, conference rooms and other large indoor venues, these new models create bright, clear and dynamic images. Optional interchangeable lenses designed to meet specific needs are also available.

Ultra quiet 22dBA fan

Fan noise is barely perceptible at 22dBA* (XL1550U), even in cramped room conditions, clear and quiet presentations are guaranteed.

Bright 4000 ANSI lumens of brightness with BrightEra™ LCD panels (XL2550U)

The XL2550U model is equipped with newly developed BrightEra™ LCD panels.



1000lm

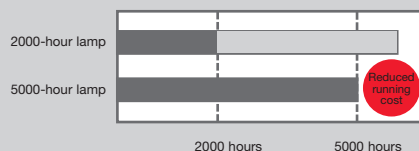
4000lm

These panels include inorganic film and vertical orientation liquid crystal to bring improvements in reliability of light resistance. What's more, our new drive system (double-speed field inversion drive) reduces liquid crystal orientation distortion caused by pixel line voltage gaps. The result is a high pixel aperture ratio, which increases light efficiency to a whole new level.

Long Lamp Life - Up to 5000 hours (XL1550U)

Designed with a light source lamp temperature control, the XL1550U model can support a lamp life of up to 5000 hours⁽¹⁾. This long lamp life makes dramatic reductions in overall cost of ownership by decreasing the frequency of lamp replacements. The XL2550U benefits from a 4000 hour lamp life.

Lamp replacement frequency⁽¹⁾⁽²⁾



XL1550U

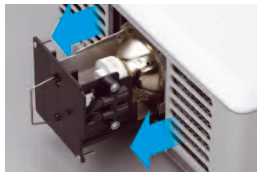
- 3100 ANSI lumens
- 5000 hour lamp life

XL2550U

- 4000 ANSI lumens
- 4000 hour lamp life

(1*): When used at the low lamp mode. Maximum lamp life at standard mode use is 2000 hours. (2*): Lamp life refers to the average time required for brightness to be reduced by half and not the time specified in the warranty. Use time may vary widely by the environment and conditions and whether or not cleaning and other maintenance procedures are followed.

XL1550U/XL2550U



Side lamp replacement

A side-loading lamp design makes lamp replacement quick and efficient. With this time saving design, you can leave the projector in place and simply extract the old lamp from its side, saving you time and money.



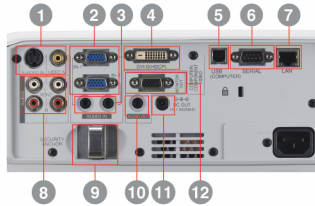
Anti-Theft security hook

A secure cable or chain may be passed through the anti-theft security hook to help prevent unauthorised removal of the projector unit from the premises.

Note: Mitsubishi Electric cannot accept responsibility for thefts occurring despite use of this safety feature.

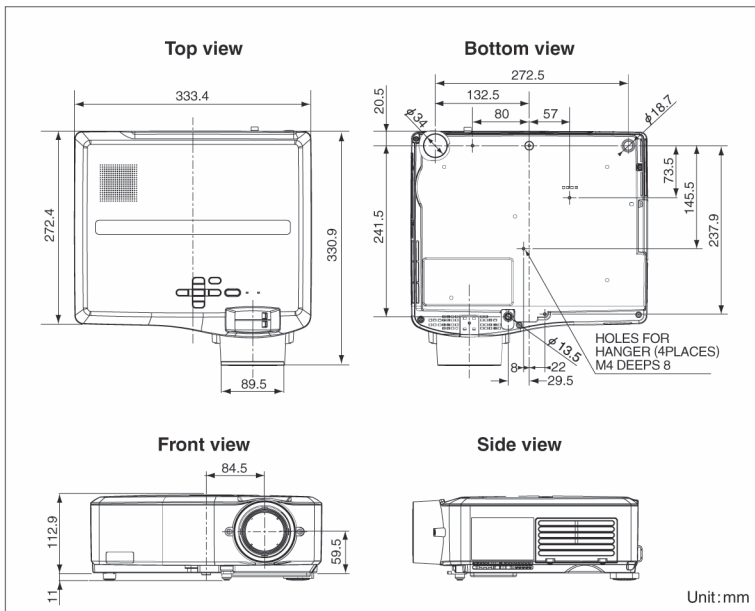
Input and Output Terminals

Enhanced terminal group realizes a versatile range of presentations.



- 1 S-Video / Video input
- 2 PC / Component Video input (mini D-sub 15pin)
- 3 PC / Audio input
- 4 DVI-D (with HDCP) input
- 5 USB terminal
- 6 Serial RS-232C (D-sub 9pin)
- 7 LAN (RJ-45)
- 8 Video / Audio input
- 9 Security Hook
- 10 Audio output
- 11 DC Out 5V 1.5A (Max)
- 12 Monitor output

Dimensions



Optional lens table

OL-XL2550SZ short throw lens

Focal Length	24-29 mm cf. Standard Zoom Lens 29 - 37mm
F Number	F 1.7 - 1.9
Focus/Zoom	Manual Focus & Zoom Lens (Zoom Ratio 1.2:1)
Throw Ratio	1.5 - 1.8 (3.0 - 3.6 m@100") cf. Standard Zoom Lens 1.8 - 2.3 (3.6 - 4.6 m@100")
Picture Size	40 - 300 inch

OL-XL2550LZ long throw lens

Focal Length	32 - 48 mm cf. Standard Zoom Lens 29 - 37mm
F Number	F 2.2 - 2.8
Focus/Zoom	Manual Focus & Zoom Lens (Zoom Ratio 1.5:1)
Throw Ratio	2.0 - 3.0 (4.0 - 6.1 m@100") cf. Standard Zoom Lens 1.8 - 2.3 (3.6 - 4.6 m@100")
Picture Size	60 - 300 inch (Recommended 80 - 200 inch)

OL-XL2550TZ tele zoom lens

Focal Length	48 - 74 mm cf. Standard Zoom Lens 29 - 37mm
F Number	F 2.2 - 2.7
Focus/Zoom	Manual Focus & Zoom Lens (Zoom Ratio 1.5:1)
Throw Ratio	3.0 - 4.6 (6.1 - 9.3 m@100") cf. Standard Zoom Lens 1.8 - 2.3 (3.6 - 4.6 m@100")
Picture Size	60 - 300 inch (Recommended 80 - 200 inch)

Specifications

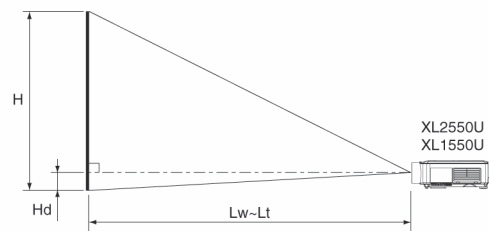
Model	XL1550U	XL2550U
Display technology	0.8" 3-LCD	
Resolution	1024 x 768 (total 786,432 pixels)	
Brightness	3100lm	4000lm
Contrast	400: 1 (on/off)	600: 1 (on/off)
Projection lens	f=29-37mm, F1.7-2.0	
Picture Size	40" ~ 300" (100" = 3.6 ~ 4.6m)	
Source lamp	160W (Shut Off Time 5000Hrs) with Low Mode 200W (Shut Off Time 2000Hrs) with Standard Mode	220W (Shut Off Time 4000Hrs) with Low Mode 261W (Shut Off Time 2000Hrs) with Standard Mode
Computer compatibility	640 x 480 ~ 1600 x 1200 True: 1024 x 768, Sync on green available	
Video compatibility	NTSC/NTSC4.43/PAL (including PAL-M, N)/SECAM/PAL-60 Component Video: 480i/p(525i/p), 576i/p(625i/p), 720p (750p 50/60Hz), 1080i(1125i 50/60Hz), SCART (RGB+1V sync)	
PC input terminals	PC: mini D-sub 15pin x 2, DVI-D (with HDCP) x 1 Audio: stereo mini (φ3.5) x 2	
Video input terminals	Video: RCA x 1, S-video x 1, Audio: RCA (L,R) x 2	
Output terminals	Monitor Out: mini D-sub 15pin x 1, DC Out: 5V 1.5A (MAX) Audio: stereo mini (φ3.5) x 1	
Communication terminals	LAN (RJ-45) x 1, RS-232C (D-Sub 9 pin) x 1 USB terminal for mouse control x 1	
Audio speaker	3W mono	
Dimension (WxHxD)	333x113x272mm 13.1x4.4x10.7inch (excluding height adjustment)	
Weight	4.7kg / 10.4lbs	
Power supply	AC100 - 240V, 50/60Hz	
Optional lamp	VLT-XL550LP	VLT-XL650LP

*"BrightEra" and **BrightEra** are trademarks of Sony corporation.

*All brand names and product names are trademarks, registered trademarks or trade names of their respective holders.

Screen size and Projection distance

As seen from the side



Screen size chart (4:3 aspect ratio)

Diagonal Size		Screen				Distance from screen				Height projected image (Hd)	
inch	cm	Width	Height	Max. Zoom	Min. Zoom	inch	m	inch	m	inch	cm
40	102	32	24	55	1.4	71	1.8	2.4	6		
60	152	48	36	84	2.1	108	2.7	3.6	9		
80	203	64	48	113	2.9	145	3.7	4.8	12		
100	254	80	60	152	3.6	182	4.6	6.0	15		
150	381	120	90	229	5.4	274	6.9	9.0	23		
200	508	160	120	305	7.3	366	9.3	12.0	31		
250	635	200	150	381	9.1	-	-	15.0	38		
300	762	240	180	457	10.9	-	-	18.0	46		

Max.Zoom(Wide) : $y = (x - 1.5215) / 27.37$ x: Diagonal Size of Screen (inch)
Min.Zoom(Tele) : $y = (x - 1.1903) / 21.413$ y: Throw Distance (m)

Option



Lamp
VLT-XL650LP
VLT-XL550LP